

Features

Specifications

Rack & Pinion Operated, Renewable Monel Seats

End Connections

Flanged ends conforming to BS:10 Table 'H'

Test Pressures

Max. B.O.P. 17.58 Kg/cm²
Hydraulic Test Pressure 35.16 Kg/cm²

Max. Working Temperature 225°C



Suitability

Water



Steam



Gas



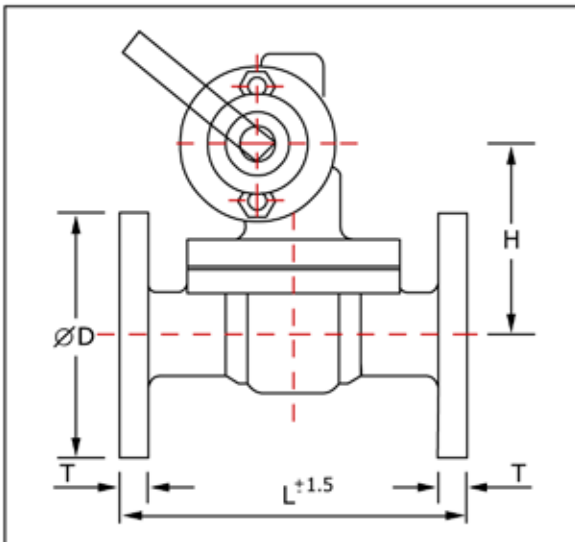
Oil



Air

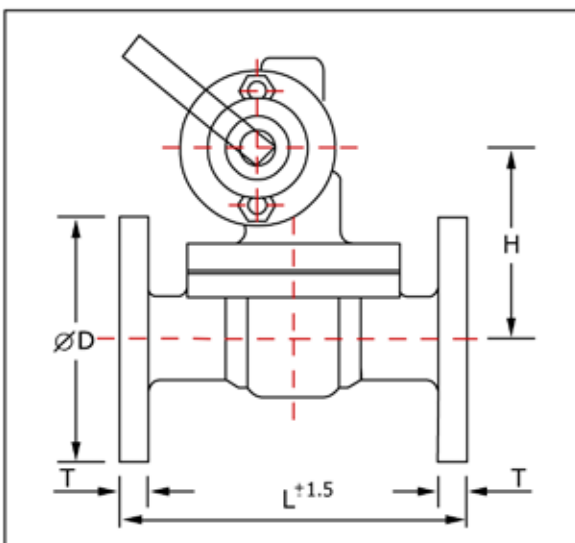


Material Combination



P/No.	Name of Part	Material	Specifications
1	Bonnet	Bronze	IBR 282 [a] [iv] Gr.B
2	Rack	Bronze	IBR 282 [a] [iv] Gr.B
3	Stud & Nut	M.S.	BS : 916
4	Body	Bronze	IBR 282 [a] [iv] Gr.B
5	Gasket	C.A.F	IS : 2712
6	Body Seat Ring	Monel	NiCu Alloy
7	Male Disc	Monel	NiCu Alloy
8	Female Disc	Monel	NiCu Alloy
9	Spring	Carbon Steel	BS:970 EN44 / IBR 307
10	Pinion	Bronze	IBR 282 [a] [iv] Gr.B
11	Gland	Bronze	IBR 282 [a] [iv] Gr.B
12	Packing	Graphited Asbestos	-
13	Stuffing Box	Bronze	IBR 282 [a] [iv] Gr.B

Dimensional Data



Nominal Size	Length	Height	Ø D	T	S
25	167	142	4.3/4	7/16	16
32	173	158	5.1/4	7/16	16
40	190.5	205	5.1/2	1/2	22
50	206.5	227	6.1/2	1/2	25.4
65	228.5	270	7.1/4	9/16	28.6