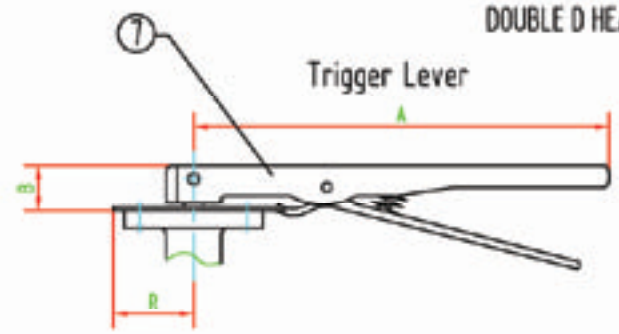
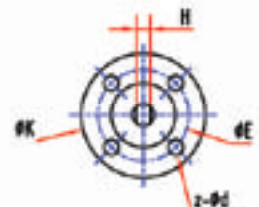
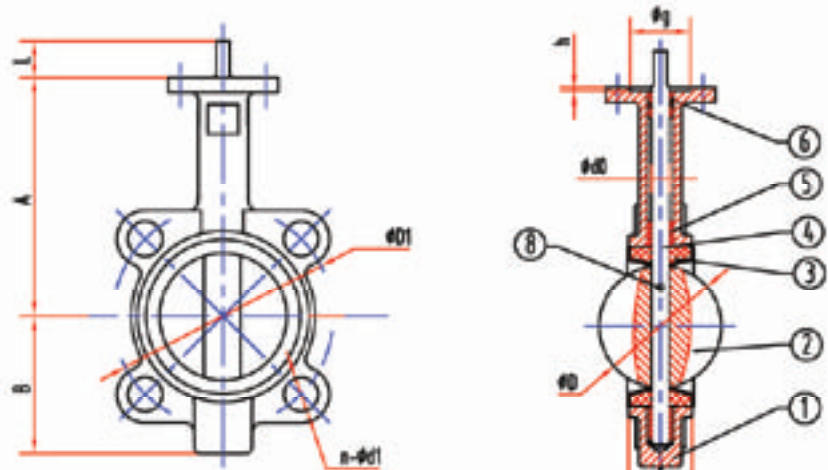
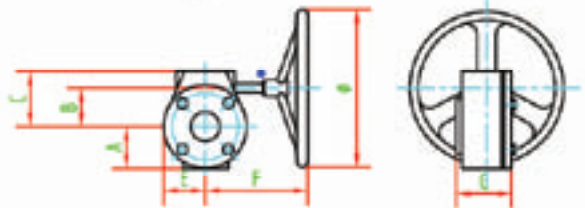


MVS-100W BS5155 UNIFLANGE WAFER BUTTERFLY VALVE



Worm gear Actuator For Size 2"-12"



1. STANDARD MATERIALS OF MAIN PARTS

ITEM	PART NAME	MATERIAL
1	Body	Cast Iron
2	Disc	Ductile Iron, CF8M, Bronze
3	Seat	EPDM, NBR
4	Shaft	416SS, 316SS
5	Bushing	PTFE
6	O Ring	NBR
8	Pin	Stainless Steel

2. DIMENSIONS: (mm)

SIZE		A	B	C	D	L	#0	UPPER FLANGE				ANSI 150		BS4504 PN10/16		H	
in	DN							K	E	z-d	g	h	D1	n-d1	D1		n-d1
2	50	161	80	42	52.6	32	12.6	77	50	4-7	35	3	120.5	4-19	125	4-19	10
2-1/2	65	175	89	44.7	64.5	32	12.6	77	50	4-7	35	3	139.5	4-19	145	4-19	10
3	80	181	95	45.2	78.8	32	12.6	77	50	4-7	35	3	152.5	4-19	160	8-19	10
4	100	200	114	52.1	104	32	15.77	92	70	4-10	55	3	190.5	8-19	180	8-19	12
5	125	213	127	54.4	123.3	32	18.92	92	70	4-10	55	3	216	8-22.4	210	8-19	14
6	150	226	139	55.8	155.6	32	18.92	92	70	4-10	55	3	241.5	8-22.4	240	8-23	14
8	200	260	175	60.6	202.5	45	22.1	125	102	4-12	70	3.5	298.5	8-22.4	295	8/12-23	17
10	250	292	203	65.6	250.5	45	28.45	125	102	4-12	70	3.5	362	12-25.4	350/355	12-23/28	22
12	300	337	242	76.9	301.6	45	31.6	140	102	4-12	70	3.5	432	12-25.4	400/410	12-23/28	24

3. Overall Dimensions & Weight of Trigger Lever

SIZE	A	B	R	Weight kg
2"-6"	270	32	52	0.9
8"	360	45	75.2	1.95
10"-12"	500	45	75.2	2.65

3. Overall Dimensions & Weight of Worm gear Actuator

TYPE	RATED OUTPUT N.M	MAXIMUM OUTPUT N.M	RATIO	BUTTERFLY VALVE SIZE	A	B	C	E	F	G	φ	Weight kg
30c-15	150	270	24:1	2"-6"	52	45	74	52	152.5	75	150	5.2
30c-50	500	700	30:1	8"-10"	75	62.75	101	75	250	86	300	13
30c-120	1000	1200	50:1	12"	81	80	118	81	227	83	300	15

MVS (Export) Ltd.
The Stenders
Mitcheldean
Gloucestershire
GL17 0ZE

www.mechtechvalveservices.com

MECHTECH

MVS-100W DS Rev
001
23-Mar-06

Copyright 2006