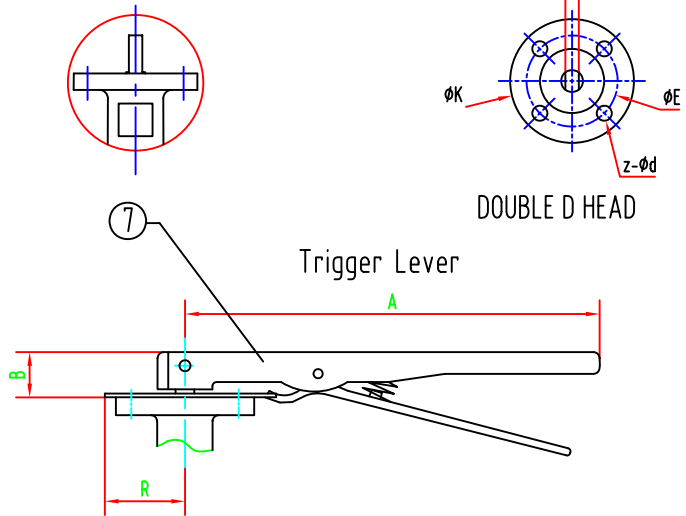
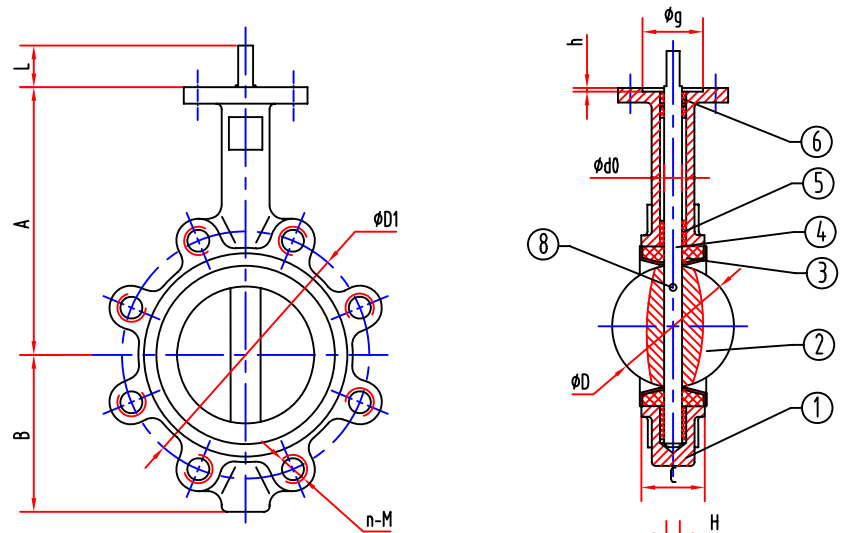
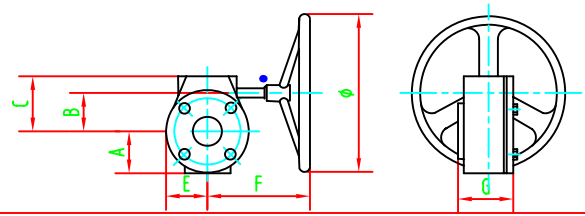


# MVS-100L BS5155 FULLY LUGGED PN16 BUTTERFLY VALVE



Worm gear Actuator For Size 2"-12"



## 1. STANDARD MATERIALS OF MAIN PARTS

ITEM	PART NAME	MATERIAL
1	Body	Cast Iron
2	Disc	CF8M
3	Seat	EPDM, NBR
4	Shaft	316SS
5	Bushing	PTFE
6	O Ring	NBR
7	Lever	Carbon Steel
8	Pin	Stainless Steel

## 2. DIMENSIONS: (mm)

SIZE	in	DN	A	B	C	D	L	d0	H	UPPER FLANGE					BS4504 PN16	
										K	E	z-d	q	h	D1	n-M
2	50	161	80	42	52.6	32	12.6	10	70	50	4-7	35	3	125	4-M16	
2-1/2	65	175	89	44.7	64.5	32	12.6	10	70	50	4-7	35	3	145	4-M16	
3	80	181	95	45.2	78.8	32	12.6	10	70	50	4-7	35	3	160	8-M16	
4	100	200	114	52.1	104	32	15.77	12	90	70	4-9	55	3	180	8-M16	
5	125	213	127	54.4	123.3	32	18.92	14	90	70	4-9	55	3	210	8-M16	
6	150	226	139	55.8	155.6	32	18.92	14	90	70	4-9	55	3	240	8-M20	
8	200	260	175	60.6	202.5	45	22.1	17	125	102	4-12	70	3.5	295	12-M20	
10	250	292	203	65.6	250.5	45	28.45	22	125	102	4-12	70	3.5	355	12-M24	
12	300	337	242	76.9	301.6	45	31.6	24	140	102	4-12	70	3.5	410	12-M24	

## 3. Overall Dimensions & Weight Of Manual Actuator

SIZE	A	B	R	Weight kg
2"-6"	270	32	52	0.9
8"	360	45	75.2	1.95
10"-12"	500	45	75.2	2.65

## 4. Overall Dimensions & Weight of Worm gear Actuator

TYPE	RATED OUTPUT N.M	MAXIMUM OUTPUT N.M	RATIO	BUTTERFLY VALVE SIZE	A	B	C	E	F	G	$\phi$	Weight kg
3Dc-15	150	270	24:1	2"-6"	52	45	74	52	152.5	75	150	5.2
3Dc-50	500	700	30:1	8"-10"	75	62.75	101	75	250	86	300	13
3Dc-120	1000	1200	50:1	12"	81	80	118	81	227	83	300	15

Mechtech Valve Services,  
The Stenders, Mitcheldean,  
Glos. GL17 0ZE  
Tel: 01594 541717 Fax: 01594 541716

[www.mechtechvalveservices.com](http://www.mechtechvalveservices.com)

MVS-100L  
Datasheet

MVS-100L DS Rev  
002  
22-June-06

Copyright 2006