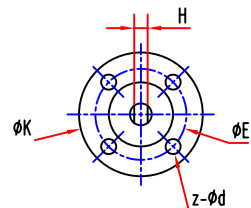
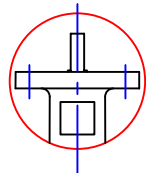
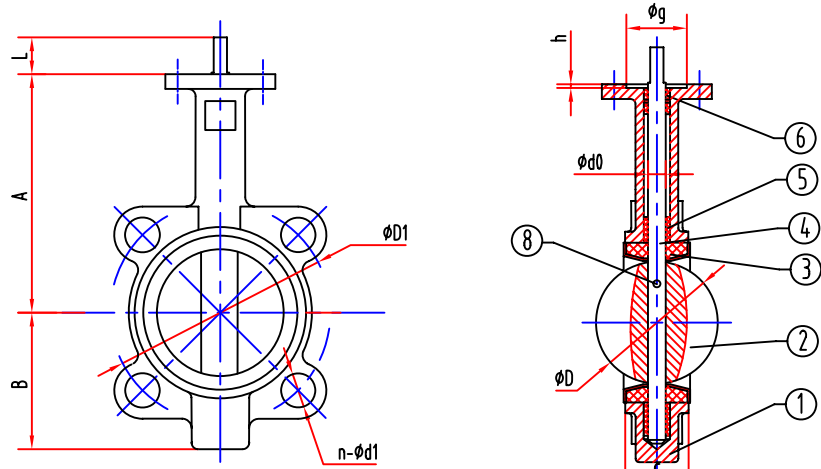
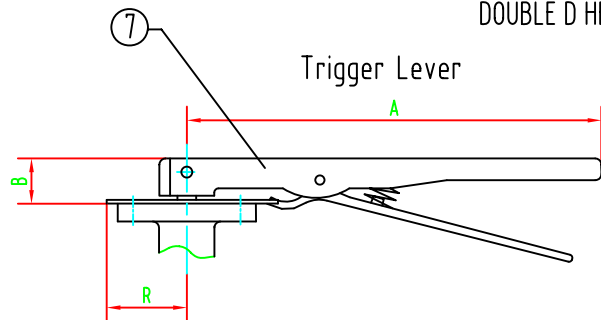


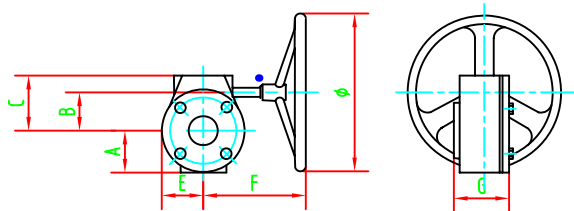
# MVS-100W LONG BS5155 UNIFLANGE WAFER LONG PATTERN BUTTERFLY VALVE



DOUBLE D HEAD



Worm gear Actuator For Size 2"-12"



## 1. STANDARD MATERIALS OF MAIN PARTS

ITEM	PART NAME	MATERIAL
1	Body	Cast Iron
2	Disc	CF8M, Bronze
3	Seat	EPDM, NBR
4	Shaft	316SS, 416SS
5	Bushing	PTFE
6	O Ring	NBR
7	Lever	Cast Iron
8	Pin	Stainless Steel

## 2. DIMENSIONS AND WEIGHTS

SIZE		A	B	C	D	L	d0	H	UPPER FLANGE					BS4504 PN10/16		BS10 TABLE D/E	
in	DN								K	E	z-d	g	h	D1	n-d1	D1	n-d1
3	80	181	95	64	78.8	32	12.6	10	77	50	4-7	35	3	160	8-19	146.1	4-17.5
4	100	200	114	64	104	32	15.77	12	92	70	4-10	55	3	180	8-19	177.8	4/8-17.5
5	125	213	127	70	123.3	32	18.92	14	92	70	4-10	55	3	210	8-19	209.6	8-17.5
6	150	226	139	76	155.6	32	18.92	14	92	70	4-10	55	3	240	8-23	235	8-18/22.2
8	200	260	175	89	202.5	45	22.1	17	125	102	4-12	70	3.5	295	8/12-23	292.1	8-18/22.2
10	250	292	203	114	250.5	45	28.45	22	125	102	4-12	70	3.5	350/355	12-23/28	355.6	8/12-22.2
12	300	337	242	114	301.6	45	31.6	24	140	102	4-12	70	3.5	400/410	12-23/28	406.4	12-22.2/25.4

### 3. Overall Dimensions & Weight of Trigger Lever

SIZE	A	B	R	Weight kg
2"-6"	270	32	52	0.9
8"	360	45	75.2	1.95
10"-12"	500	45	75.2	2.65

### 3. Overall Dimensions & Weight of Worm gear Actuator

TYPE	RATED OUTPUT N.M	MAXIMUM OUTPUT N.M	RATIO	BUTTERFLY VALVE SIZE	A	B	C	E	F	G	φ	Weight kg
3Dc-15	150	270	24:1	2"-6"	52	45	74	52	152.5	75	150	5.2
3Dc-50	500	700	30:1	8"-10"	75	62.75	101	75	250	86	300	13
3Dc-120	1000	1200	50:1	12"	81	80	118	81	227	83	300	15

Mechtech Valve Services,  
The Stenders, Mitcheldean,  
Glos. GL17 0ZE  
Tel: 01594 541717 Fax: 01594 541716

Mechtech Valve Services,  
33 Pennycress, Locks Heath,  
Southampton. Hants. SO31 6SY  
Tel: 01489 609609 Fax: 01489 609610

[www.mechtechvalveservices.com](http://www.mechtechvalveservices.com)

MVS-100W LONG  
Datasheet

MVS-100W LONG  
DS Rev 001  
23-Mar-06

Copyright 2006