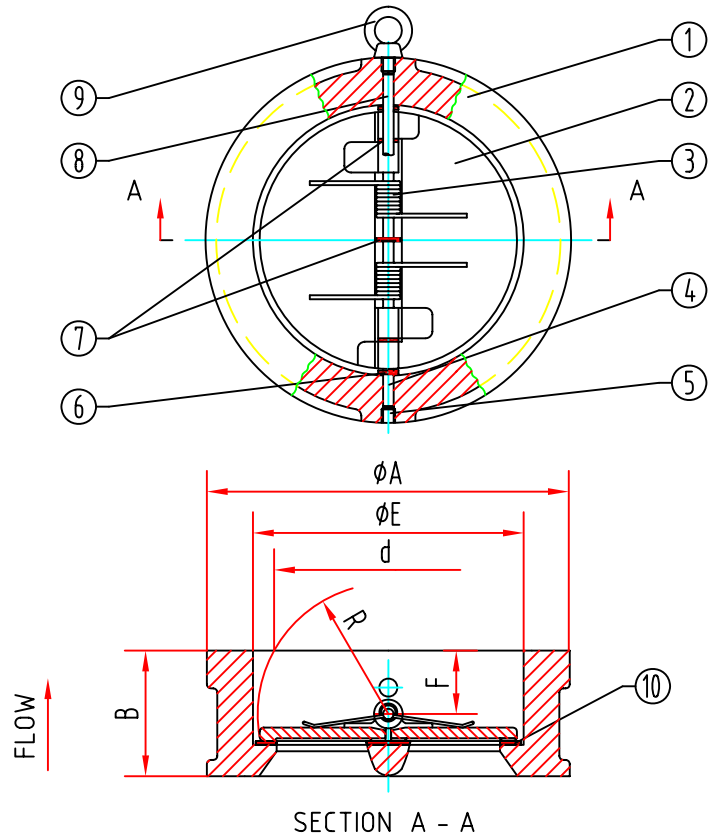


# MVS-450 DUAL PLATE WAFER CHECK VALVE



## STANDARD MATERIALS OF PARTS

ITEM	PART NAME	MATERIAL
1	Body	Cast Iron
2	Plate	Bronze
3	Spring	Stainless Steel
4	Hinge Pin	Stainless Steel
5	Plug	Carbon Steel
6	Body Bearing	PTFE
7	Spring Bearing	PTFE
8	Stop Pin	Stainless Steel
9	Eye Bolt	Carbon Steel
10	Body Seat	NBR

## DIMENSIONS AND WEIGHTS

SIZE		B	E	F	R	d	A		Weigh (kg)
in	DN						DIN PN10/16	ANSI 150	
2	50	43	65	19	28.8	43.3	107	102	1.5
2-1/2	65	46	80	20	36.1	60.2	127	121	2.4
3	80	64	94	28	43.4	66.4	142	133	3.6
4	100	64	117	27	52.8	90.8	162	171	5.7
5	125	70	145	30	65.7	116.9	192	193	7.3
6	150	76	170	31	78.6	144.6	218	219	9.0
8	200	89	224	33	104.4	198.2	273	276	17
10	250	114	265	50	127	233.7	328	336	26
12	300	114	310	43	148.3	283.9	378/382	406	42
14	350	127	360	45	172.4	332.9	438/442	448	55
16	400	140	410	52	197.4	381.0	488/495	511	75
18	450	152	450	58	217.8	419.9	538/555	546	107
20	500	152	505	58	241	467.8	592/617	603	111
24	600	178	624	73	295.4	572.6	695/734	714	172
28	700	229	720	98	354	680	809	828	219
32	800	241	825	100	398	770.5	916	936	316

NOTE: The maximum working pressure is 1.0 Mpa "150 psi" for 20" and larger

Mechtech Valve Services,  
The Stenders, Mitcheldean,  
Glos. GL17 0ZE  
Tel: 01594 541717 Fax: 01594 541716

Mechtech Valve Services,  
33 Pennycress, Locks Heath,  
Southampton. Hants. SO31 6SY  
Tel: 01489 609609 Fax: 01489 609610

[www.mechtechvalveservices.com](http://www.mechtechvalveservices.com)

MVS-450 Datasheet

MVS-450-DS Rev 001

23-June-06

Copyright 2006