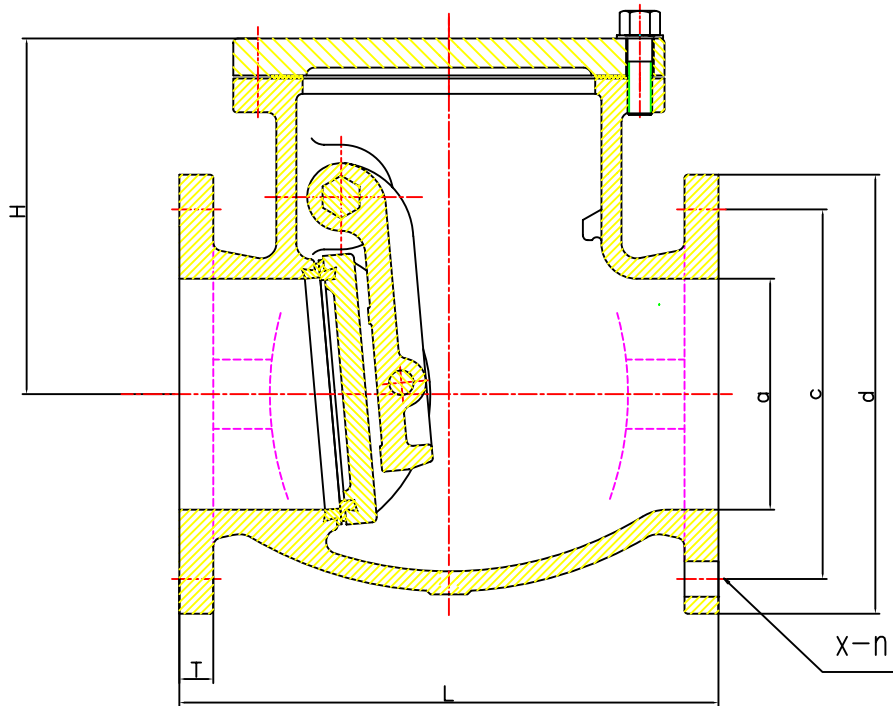


MVS-491

BS4090 SWING CHECKVALVE



Materials

No	Part	Grade
1	Body	Cast Iron BS1452 220
2	Disc	Cast Iron BS1452 220
3	Cover	Cast Iron BS1452 220
4	Shaft Pin	Stainless Steel
5	Seat Ring	Bronze *BS1400 LG2
6	Hinge	BS1452 220
7	Nut	BS1452 220

Dimension: mm (BS10-D/E)

SIZE	a	c	d	T	L	x-n	H
50	50	114	152	19	203	4- ϕ 18	135
65	65	127	165	19	216	4- ϕ 18	148
80	80	146	184	19	241	4- ϕ 18	178
100	100	178	216	22	292	4/8- ϕ 18	195
125	125	210	254	22	330	8- ϕ 18	210
150	150	235	279	22	356	8- ϕ 18/22	250
200	200	292	337	25	495	8- ϕ 18/22	300
250	250	356	406	25	622	8/12- ϕ 22	335
300	300	406	457	29	698	12- ϕ 22/25	365

Pressure / Temperature Ratings

Temperature (F)	0 + 100	150	200	250	300	400	430
Pressure (PSI) E	200	200	200	200	175	120	100
Pressure (PSI) D	100	100	100	100	75	55	50

Mechtech Valve Services,
The Stenders, Mitcheldean,
Glos. GL17 0ZE
Tel: 01594 541717 Fax: 01594 541716

MVS-491 Datasheet

MVS-491-DS Rev 001
21-June-2006

www.mechtechvalveservices.com

Copyright 2006