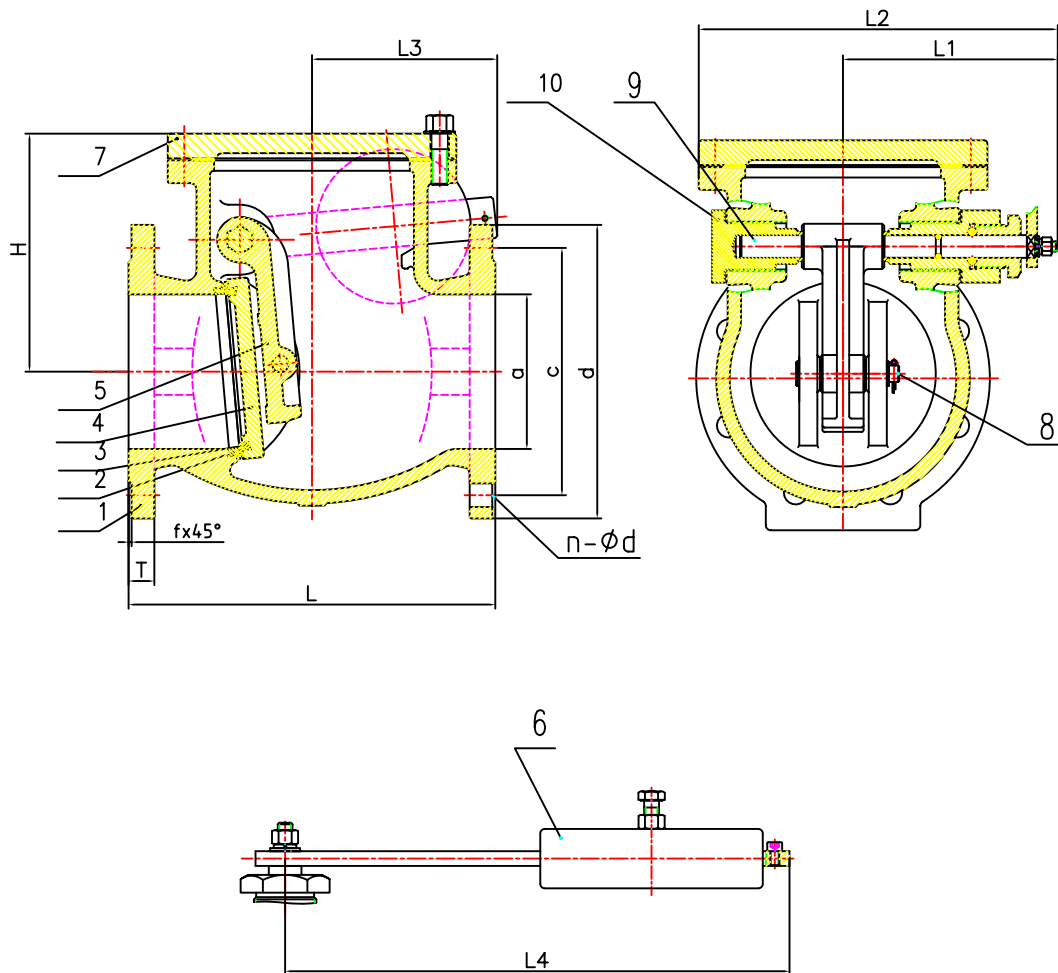


MVS-492LW

BS5153 SWING CHECKVALVE



Materials

No	Part	Grade
1	Body	Cast Iron BS1452 220
4	Disc	Cast Iron BS1452 220
7	Cover, Weight	Cast Iron BS1452 220
9,8	Shaft Pin	Stainless Steel
2	Seat Ring	Bronze *BS1400 LG2
5	Hinge	DN50-150*BS1400 LG2, DN200-400*BS1452 220
10	Nut	DN50-200*BS1400 LG2, DN200-400*BS1452 220

Dimension: mm (BS4504-PN16)

SIZE	a	c	d	T	f	L	x-n	H	L1	L2	L3	L4
50	50	125	165	20	3	203	4- ϕ 19	135	127	210	110	150
65	65	145	185	20	3	216	4- ϕ 19	148	130	220	105	150
80	80	160	200	22	3	241	8- ϕ 19	178	160	265	120	165
100	100	180	220	24	3	292	8- ϕ 19	195	170	280	148	195
125	125	210	250	26	3	330	8- ϕ 19	210	201	335	148	210
150	150	240	285	26	3	356	8- ϕ 23	250	220	366	175	245
200	200	295	340	30	3	495	12- ϕ 23	300	260	395	245	340
250	250	355	405	32	3	622	12- ϕ 28	335	305	520	285	400
300	300	410	460	32	4	698	12- ϕ 28	365	345	597	325	465
350	350	470	520	36	4	787	16- ϕ 28	415	425	730	350	520
400	400	525	580	38	4	914	16- ϕ 31	455	450	792	330	530

Pressure / Temperature Ratings

Temperature (C)	-10 + 100	120	140	150	160	180	220
Pressure (Bar)	16	16	14.9	14.4	13.7	13.4	12.1

Mechtech Valve Services,
The Stenders, Mitcheldean,
Glos. GL17 0ZE
Tel: 01594 541717
Fax: 01594 541716

www.mechtechvalveservices.com

MVS-492LW Datasheet

MVS-492LW DS Rev 001
21-June-2006

Copyright 2006