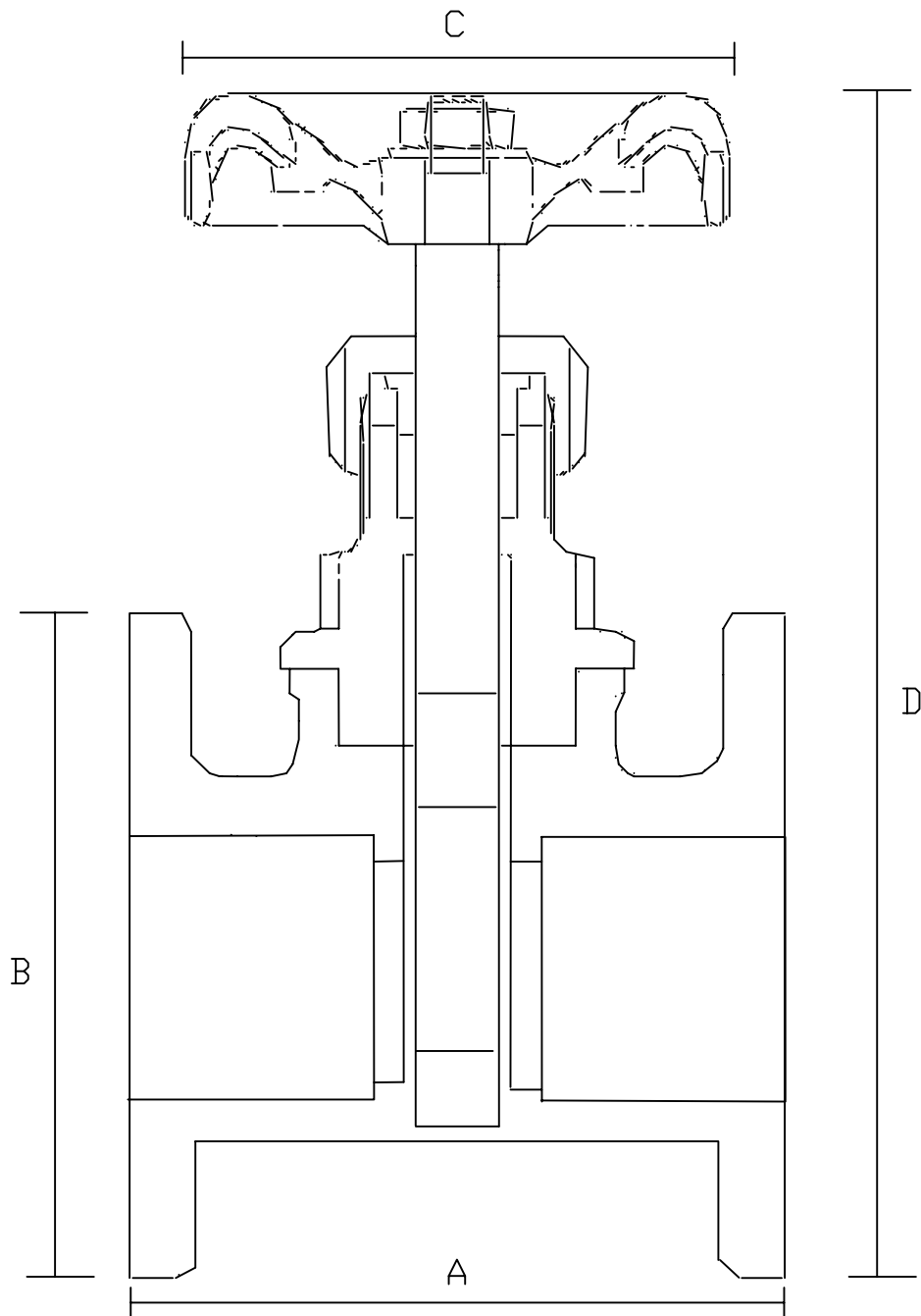


MVS-160
BS5154 GATE VALVE



Materials		
Body	Brass	BS 2874 CZ122
Bonnet	Brass	BS 2874 CZ122
Wedge	Brass	BS 2874 CZ122
Seat	Brass	BS 2874 CZ122
Stem	Brass	BS 2874 CZ122
Handwheel	Cast Iron	BS 1452 Gr 220

Dimensions : mm				
Size	A	B	C	D
15MM	77	95	80	145
20MM	88	105	80	155
25MM	100	115	95	175
32MM	105	135	105	200
40MM	113	140	105	210
50MM		160	110	225
65MM	130	180	125	265
80MM	148	190	155	305
100MM	168	215	185	335

Pressure / Temperature Ratings	
Temperature (C)	-20 +120
Pressure (Bar)	16

Mechtech Valve Services,
The Stenders, Mitcheldean,
Glos. GL17 0ZE
Tel: 01594 541717 Fax: 01594 541716

Mechtech Valve Services,
33 Pennycress, Locks Heath,
Southampton. Hants. SO31 6SY
Tel: 01489 609609 Fax: 01489 609610
www.mechtechvalveservices.com

MVS-160 Datasheet

MVS-160-DS Rev 002
10th-JulY-2006
Copyright 2006