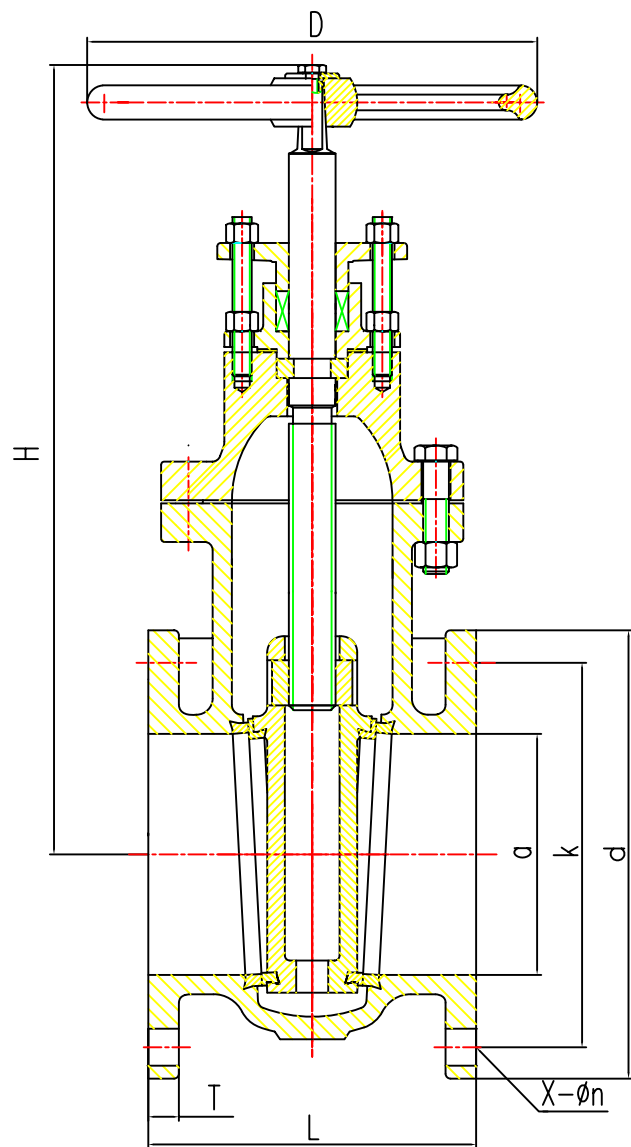


# MVS-52

## BS3464 IS NRS WEDGE GATE VALVE



NO	Part	Material
1	Body, Bonnet	Cast iron BS1452 220
2	Wedge, Glant	Cast iron BS1452 220
3	Handwheel	Cast iron BS1452 220
4	Stem	2Cr13
5	Stem nut	Brass
6	Packing box	Cast iron BS1452 220
7	Packing, Gasket	Graphite
8	Seat ring	Bronze

Dimension: mm (BS10-D/E)

SIZE	a	d	X-n	T	k	L	D	Oh
50	50	152	4-φ18	19	114	146	180	285
65	65	165	4-φ18	19	127	159	180	315
80	80	184	4-φ18	19	146	165	205	375
100	100	216	4/8-φ18	22	178	172	205	400
125	125	254	8-φ18	22	210	190	240	455
150	150	279	8-φ18/22	22	235	210	280	505
200	200	337	8-φ18/22	25	292	241	320	610
250	250	406	8/12-φ22	25	356	273	360	715
300	300	457	12-φ22/25	29	406	305	450	815

### Pressure / Temperature Ratings

Temperature (F)	0 + 100	150	200	250	297	300	338
Pressure (PSI) E	200	180	160	135	-	115	100
Pressure (PSI) D	100	85	75	60	50		

Mechtech Valve Services,  
The Stenders, Mitcheldean,  
Glos. GL17 0ZE  
Tel: 01594 541717 Fax: 01594 541716

Mechtech Valve Services,  
33 Pennycress, Locks Heath,  
Southampton. Hants. SO31 6SY  
Tel: 01489 609609 Fax: 01489 609610

[www.mechtechvalveservices.com](http://www.mechtechvalveservices.com)

MVS-52 Datasheet

MVS-52-DS Rev 001  
21-June-2006

Copyright 2006