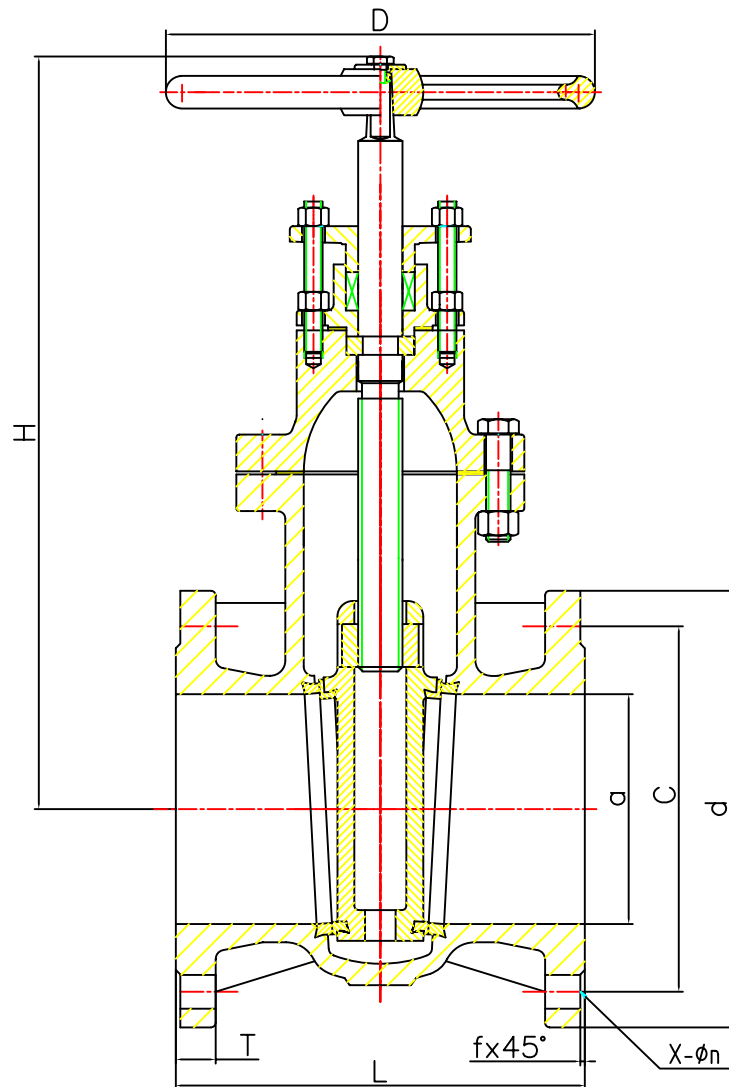


# MVS-55

## BS5150 IS NRS WEDGE GATE VALVE



NO	Part	Material
1	Body, Bonnet	Cast iron BS1452 220
2	Wedge, Glant	Cast iron BS1452 220
3	Handwheel	Cast iron BS1452 220
4	Stem	2Cr13
5	Stem nut	Brass
6	Packing box	Cast iron BS1452 220
7	Packing, Gasket	Graphite
8	Seat ring	Bronze

Dimension: mm (BS4504-PN16)

SIZE	a	C	d	T	f	L	X-φn	D	H	Wt kg
50	50	125	165	20	3	150	4-φ19	180	265	18
65	65	145	185	20	3	170	4-φ19	180	290	21
80	80	160	200	22	3	180	8-φ19	205	345	28
100	100	180	220	24	3	190	8-φ19	205	370	35
125	125	210	250	26	3	200	8-φ19	240	430	51
150	150	240	285	26	3	210	8-φ23	280	490	67
200	200	295	340	30	3	230	12-φ23	320	570	105
250	250	355	405	32	3	250	12-φ28	360	675	166
300	300	410	460	32	4	270	12-φ28	450	780	221

Face to Face: BS5150 Short / DIN3202-F4

Pressure / Temperature Ratings							
Temperature (C)	-10 + 100	120	140	150	160	180	200
Pressure (Bar)	10	10	9.3	9.0	8.8	8.4	12.8

Mechtech Valve Services,  
The Stenders, Mitcheldean,  
Glos. GL17 0ZE  
Tel: 01594 541717 Fax: 01594 541716

Mechtech Valve Services,  
33 Pennycross, Locks Heath,  
Southampton. Hants. SO31 6SY  
Tel: 01489 609609 Fax: 01489 609610

[www.mechtechvalveservices.com](http://www.mechtechvalveservices.com)

MVS-55 Datasheet

MVS-55-DS Rev 001  
27-Mar-2006

Copyright 2006