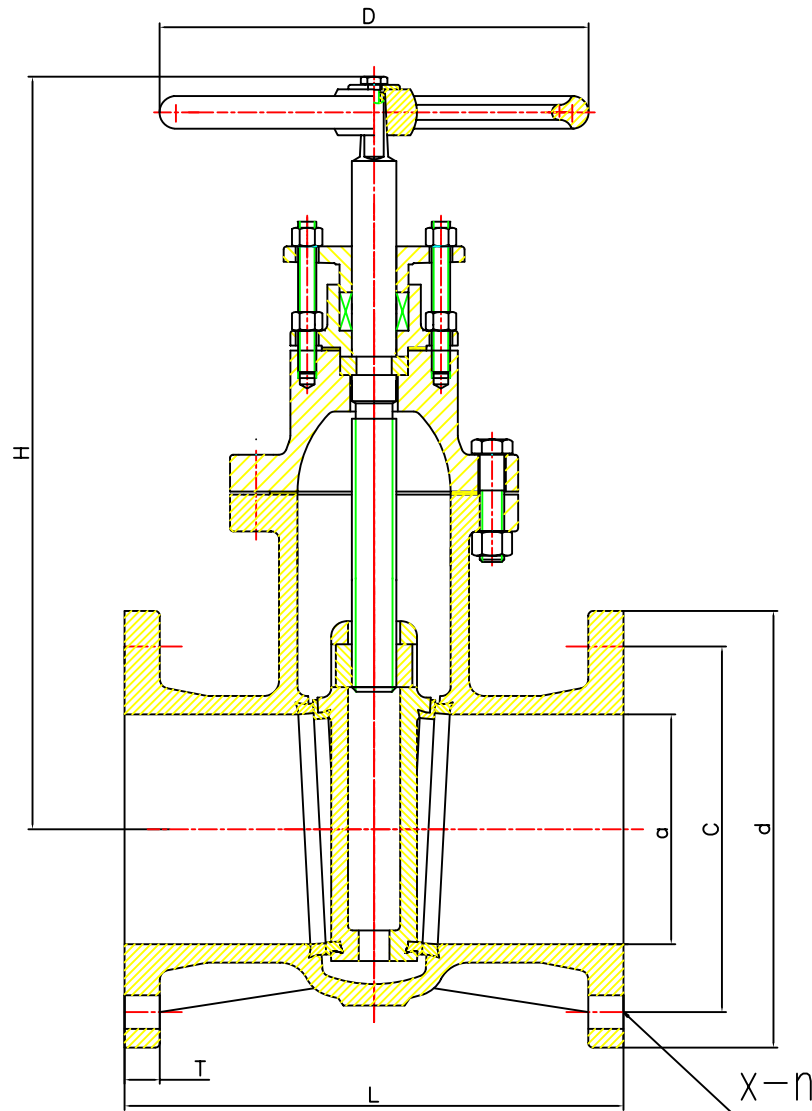


MVS-599

BS1218 IS NRS WEDGE GATE VALVE



NO	Part	Material
1	body, Bonnet	Cast iron BS1452 220
2	Wedge, Glant	Cast iron BS1452 220
3	Handwheel	Cast iron BS1452 220
4	Stem	2Cr13
5	Stem nut	Brass
6	Packing box	Cast iron BS1452 220
7	Packing, Gasket	Graphite
8	Seat ring	Bronze

Dimension: mm (BS10-D/E)

SIZE	a	d	x-n	T	c	L	D	Öh
50	50	152	4-Ø18	19	114	216	180	285
65	65	165	4-Ø18	19	127	229	180	315
80	80	184	4-Ø18	19	146	229	205	375
100	100	216	4/8-Ø18	22	178	254	205	400
125	125	254	8-Ø18	22	210	267	240	455
150	150	279	8-Ø18/22	22	235	280	280	505
200	200	337	8-Ø18/22	25	292	318	320	610
250	250	406	8/12-Ø22	25	356	356	360	715
300	300	457	12-Ø22/25	29	406	381	450	815

Pressure / Temperature Ratings

Temperature (F)	0 + 100	150	200	250	297	300	338
Pressure (PSI) E	200	180	160	135	-	115	100
Pressure (PSI) D	100	85	75	60	50		

Mechtech Valve Services,
The Stenders, Mitcheldean,
Glos. GL17 0ZE
Tel: 01594 541717 Fax: 01594 541716

Mechtech Valve Services,
33 Pennycress, Locks Heath,
Southampton. Hants. SO31 6SY
Tel: 01489 609609 Fax: 01489 609610

www.mechtechvalveservices.com

MVS-599 Datasheet

MVS-599-DS Rev 001
21-June-2006

Copyright 2006