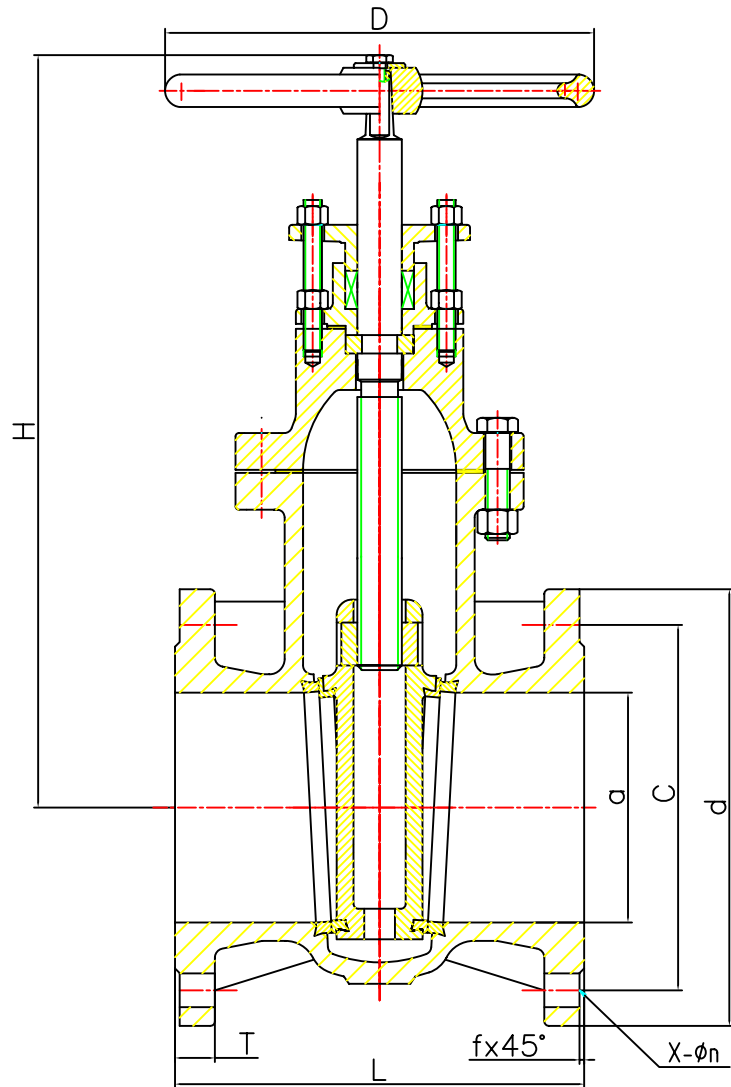


MVS-63

BS5150 IS NRS WEDGE GATE VALVE



NO	Part	Material
1	Body, Bonnet	Cast iron BS1452 220
2	Wedge, Glant	Cast iron BS1452 220
3	Handwheel	Cast iron BS1452 220
4	Stem	2Cr13
5	Stem nut	Brass
6	Packing box	Cast iron BS1452 220
7	Packing, Gasket	Graphite
8	Seat ring	Bronze

Dimension: mm (BS4504-PN16)

SIZE	a	C	d	T	f	L	X-φn	D	H	Wt?kg?
50	50	125	165	20	3	178	4-φ19	180	265	18
65	65	145	185	20	3	190	4-φ19	180	290	21
80	80	160	200	22	3	203	8-φ19	205	345	28
100	100	180	220	24	3	229	8-φ19	205	370	35
125	125	210	250	26	3	254	8-φ19	240	430	51
150	150	240	285	26	3	267	8-φ23	280	490	67
200	200	295	340	30	3	292	12-φ23	320	570	105
250	250	355	405	32	3	330	12-φ28	360	675	166
300	300	410	460	32	4	356	12-φ28	450	780	221

Pressure / Temperature Ratings

Temperature (C)	-10 + 100	120	140	150	160	180	200
Pressure (Bar)	10	10	9.3	9.0	8.8	8.4	12.8

Mechtech Valve Services,
The Stenders, Mitcheldean,
Glos. GL17 0ZE
Tel: 01594 541717 Fax: 01594 541716

Mechtech Valve Services,
33 Pennycress, Locks Heath,
Southampton. Hants. SO31 6SY
Tel: 01489 609609 Fax: 01489 609610

www.mechtechvalveservices.com

MVS-63 Datasheet

MVS-63-DS Rev 001
30-Mar-2006

Copyright 2006