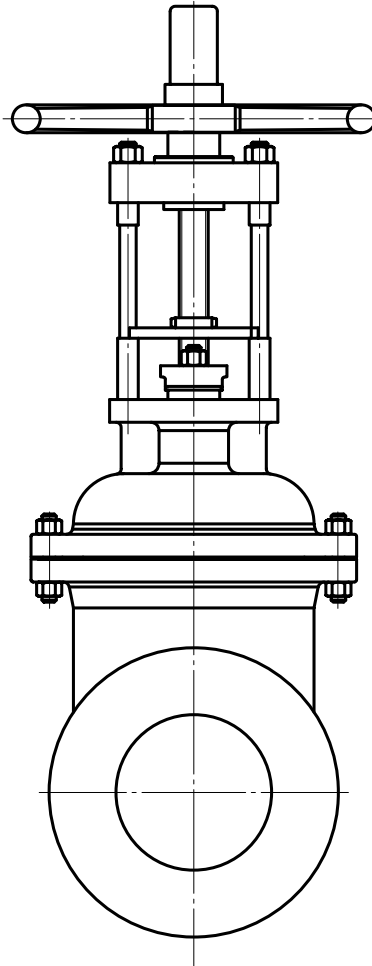
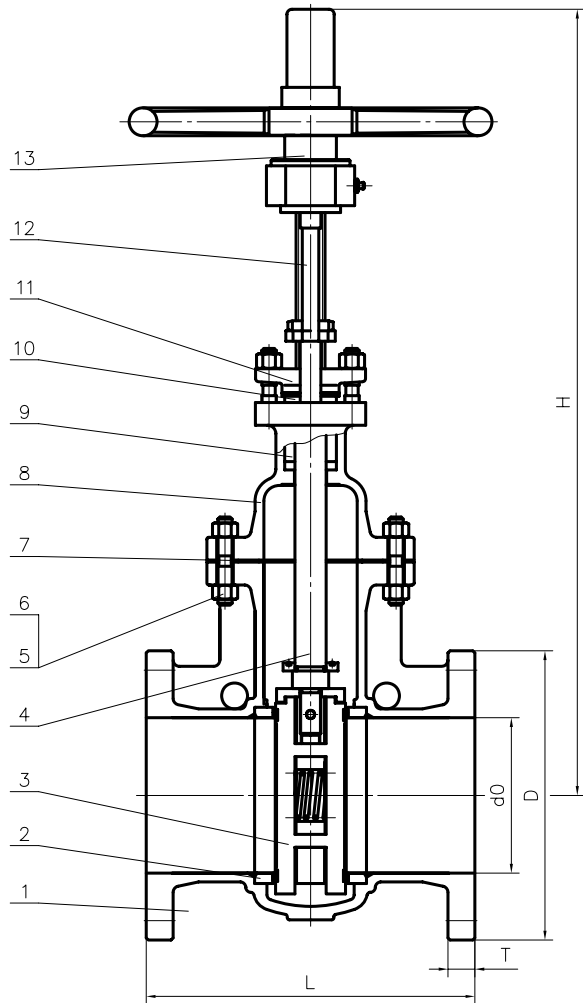


H 00Σ~09



No.	Parts Name	Materials
1	Body	ASTM A216 Gr WCB
2	Seat	ASTM A105+STL-6#
3	Gate disc	ASTM A105+STL-6#
4	Stem	ASTM A182 F6
5	Stud Bolt	ASTM A193 B7
6	Nut	ASTM A194 2H
7	Gasket	304+Graphite
8	Bonnet	ASTM A216 Gr WCB
9	Packing	Graphite
10	Packing Sleeve	ASTM A182 F6
11	Packing Gland	ASTM A216 Gr WCB
12	Yoke	ASTM A29 1025
13	Stem Nut	ZCuAl10Fe3

DN	d0	L	H	D	T
50	49	254	370	165	19
65	62	273	405	185	19
80	74	292	450	203	22
100	100	330	570	229	25
125	125	381	615	280	29
150	150	394	710	305	29
200	201	445	890	368	32
250	252	457	1050	432	35
300	303	508	1250	489	38

Property Specification

- 1.Design and manufacturing as per API 6D
- 2.Face to face as per the chart as follows
- 3.Flange dimensions per BS Table H,undrilled
- 4.Inspection and testas per API 598

Mechtech Valve Services,  
The Stenders, Mitcheldean,  
Glos. GL17 0ZE  
Tel: 01594 541717 Fax: 01594 541716

Mechtech Valve Services,  
33 Pennycress, Locks Heath,  
Southampton. Hants. SO31 6SY  
Tel: 01489 609609 Fax: 01489 609610

[www.mechtechvalveservices.com](http://www.mechtechvalveservices.com)

MECHTECH

MVS 2132

Parallel Slide Valve

50~300 H