

No.	Parts Name	Materials
1	Body	ASTM A216 WCB
2	Seat	ASTM A105+STL-6#
3	Gate disc	ASTM A105+STL-6#
4	Stem	ASTM A182 F6
5	Stud Bolt	ASTM A193 B7
6	Nut	ASTM A194 2H
7	Gasket	304+Graphite
8	Bonnet	ASTM A216 WCB
9	Packing	Graphite
10	Packing Sleeve	ASTM A182 F6
11	Packing Gland	ASTM A216 WCB
12	Yoke	ASTM A29 1025
13	Stem Nut	ZCuAl10Fe3

Property Specification

Nominal Pressure		300Lb	
Test Pressure	Strength Test	7.5	MPa
	Back Seal Test	5.5	
	Seal Test	5.5	
Max.Working Temp		-29~425DegC	

Property Specification

- 1.Design and manufacturing as per API 6D
- 2.Face to face as per the chart as follows
- 3.Flange dimensiouas per ANSI B16.5a
- 4.Inspection and testas per API 598

DN	d0	L	H	D	D2	T
50	49	216	370	165	92	23
65	62	241	405	190	105	26
80	74	283	450	210	127	29
100	100	305	570	254	157	32
125	125	381	615	279	186	35
150	150	403	710	318	216	37
200	201	419	890	381	270	42

Mechtech Valve Services,  
The Stenders, Mitcheldean,  
Glos. GL17 0ZE  
Tel: 01594 541717 Fax: 01594 541716

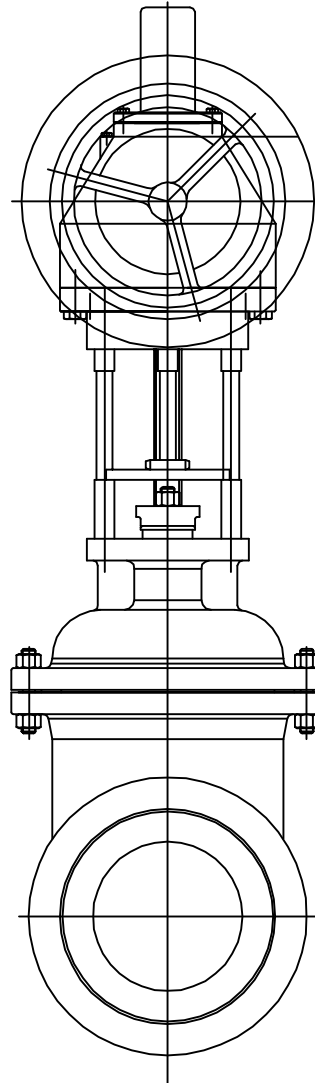
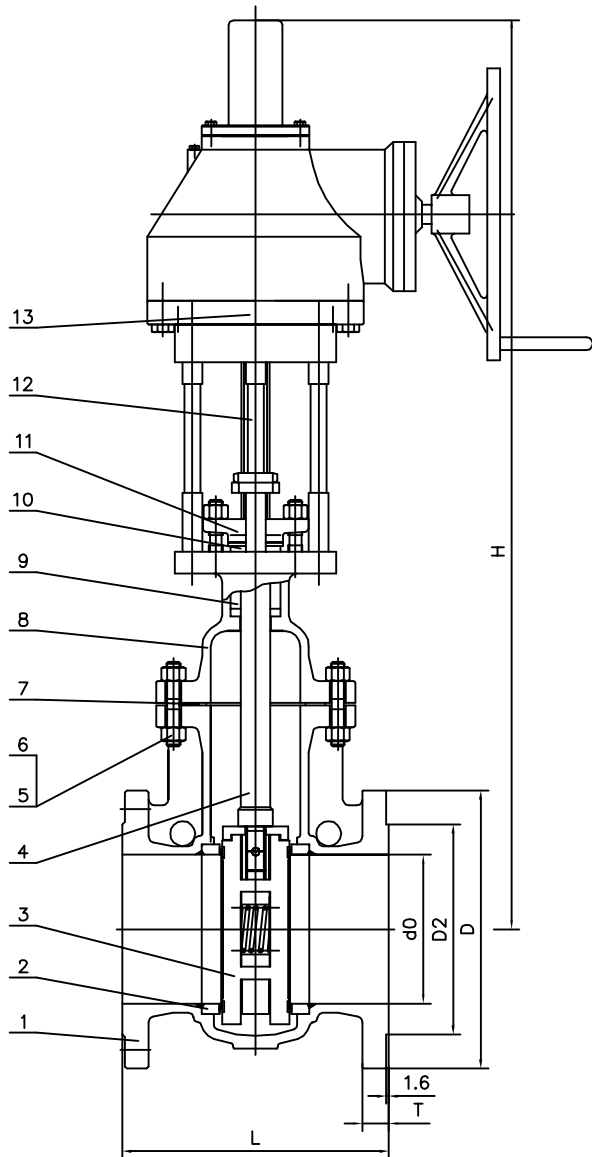
**MECHTECH**

**MVS2133**

Parallel Slide Valve

50~200 ANSI B16.5a

[www.mechtechvalveservices.com](http://www.mechtechvalveservices.com)



No.	Parts Name	Materials
1	Body	ASTM A216 WCB
2	Seat	ASTM A105+STL-6#
3	Gate disc	ASTM A105+STL-6#
4	Stem	ASTM A182 F6
5	Stud Bolt	ASTM A193 B7
6	Nut	ASTM A194 2H
7	Gasket	304+Graphite
8	Bonnet	ASTM A216 WCB
9	Packing	Graphite
10	Packing Sleeve	ASTM A182 F6
11	Packing Gland	ASTM A216 WCB
12	Yoke	ASTM A29 1025
13	Stem Nut	ZCuAl10Fe3

Property Specification

Nominal Pressure		300Lb
Test Pressure	Strength Test	7.5 MPa
	Back Seal Test	5.5
	Seal Test	5.5
Max.Working Temp		-29~425DegC

Property Specification

- 1.Design and manufacturing as per API 6D
- 2.END TO END ACCORDING TO ANSI B16.10
- 3.Flange dimensionous per ASME B16.5
- 4.Inspection and testas per API 598

SIZE	d0	L	H	D	D2	T
10"	252	457	1350	445	324	48
12"	303	502	1550	521	381	51

Mechtech Valve Services,  
The Stenders, Mitcheldean,  
Glos. GL17 0ZE  
Tel: 01594 541717 Fax: 01594 541716

Mechtech Valve Services,  
33 Pennycress, Locks Heath,  
Southampton. Hants. SO31 6SY  
Tel: 01489 609609 Fax: 01489 609610

[www.mechtechvalveservices.com](http://www.mechtechvalveservices.com)

<b>MECHTECH</b>	MVS2133	
	Parallel Slide Valve	
	250~300 ANSI B16.5a	