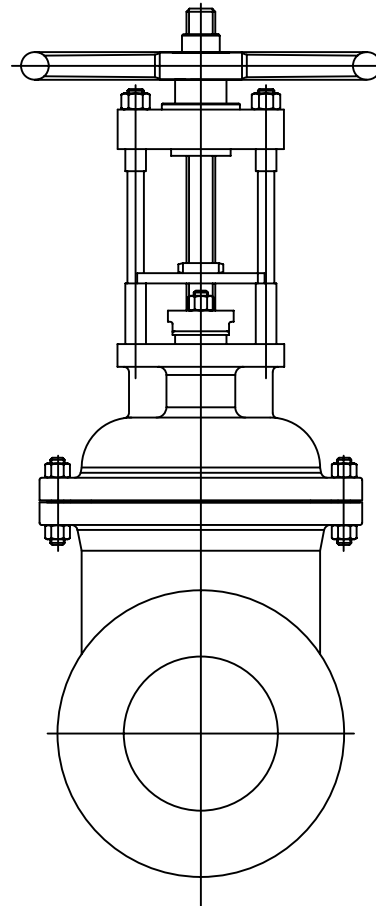
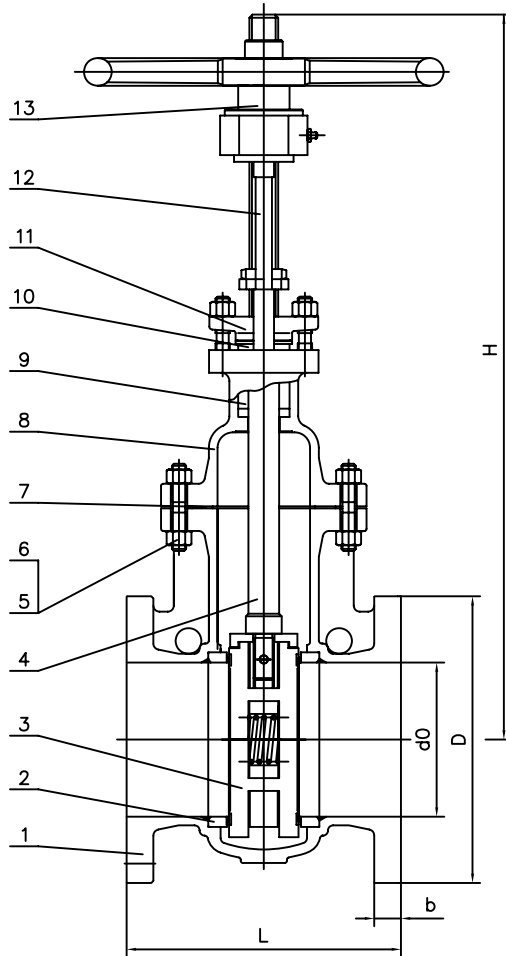


Property Specification

Nominal Pressure		1.6
Test Pressure	Strength Test	2.4
	Back Seal Test	1.76 MPa
	Seal Test	1.76
Max. Working Temp		-29~425DegC

No.	Parts Name	Materials
1	Body	ASTM A216 Gr WCB
2	Seat	ASTM A105+STL-6#
3	Gate disc	ASTM A105+STL-6#
4	Stem	ASTM A182 F6a
5	Stud Bolt	ASTM A193 B7
6	Nut	ASTM A194 2H
7	Gasket	304+Graphite
8	Bonnet	ASTM A216 Gr WCB
9	Packing	Graphite
10	Packing Sleeve	ASTM A182 F6a
11	Packing Gland	ASTM A216 Gr WCB
12	Yoke	ASTM A29 1025
13	Stem Nut	ZQA19-4



DN	d0	L	H	D	b
DN50	49	178	420	165	16
DN65	63	190	440	184	16
DN80	74	203	450	203	16
DN100	100	229	520	229	19
DN125	125	254	570	279	22
DN150	150	267	620	305	22
DN200	201	292	790	368	25
DN250	252	330	1050	431.8	25
DN300	303	356	1250	489	29

PARALLEL SLIDE GATE VALVE	
Property Specification	
Design and Manufacture	API 6D
Face to Face Dimensions	API 6D
Flange Ends Dimensions	BS10 TABLE F
Pressure Test	API 598
MVS(EXPORT)LTD	DATE 2010.06.09